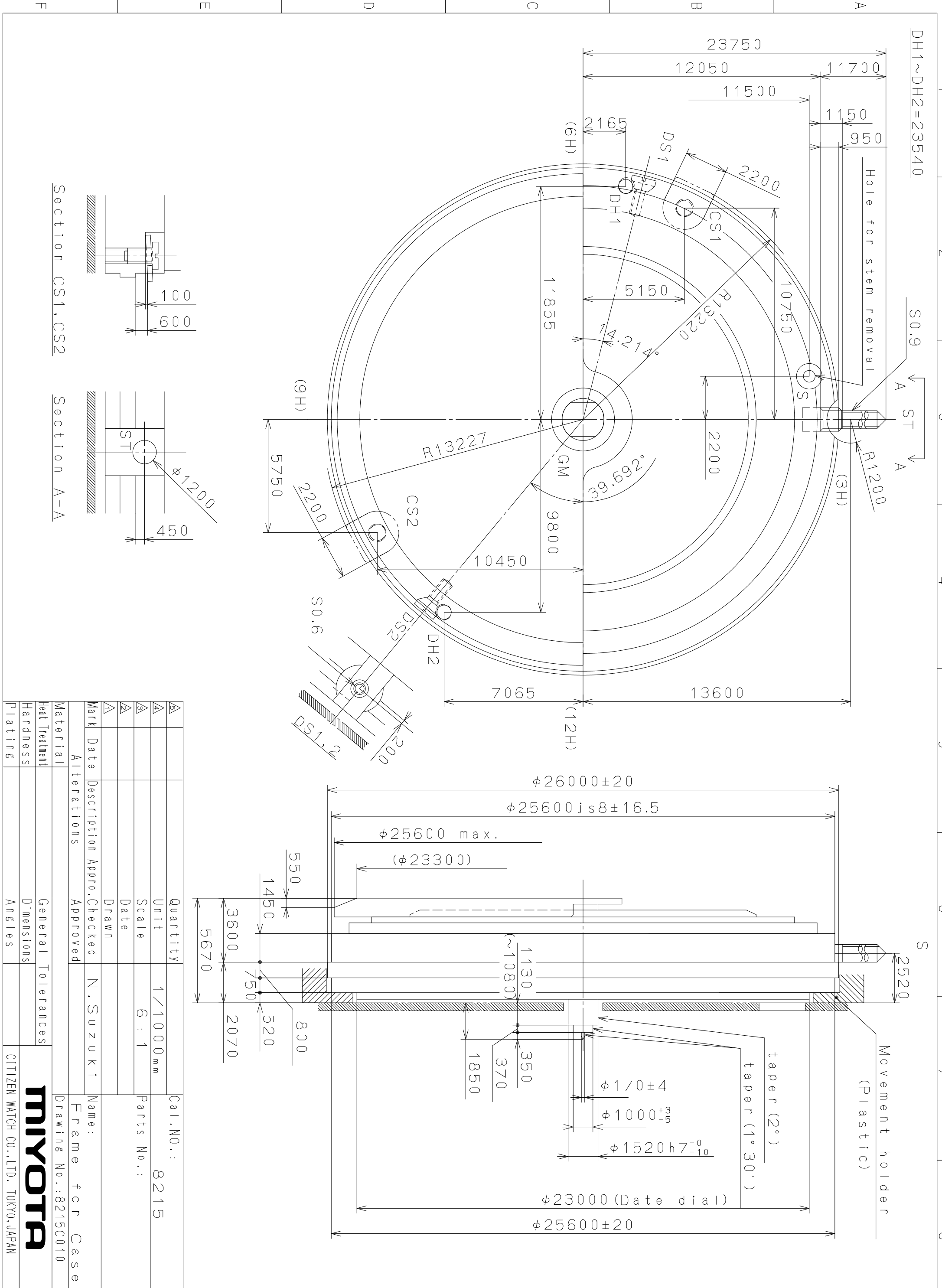


This drawing is provisional and subject to our reconfirmation and/or revision without notice.

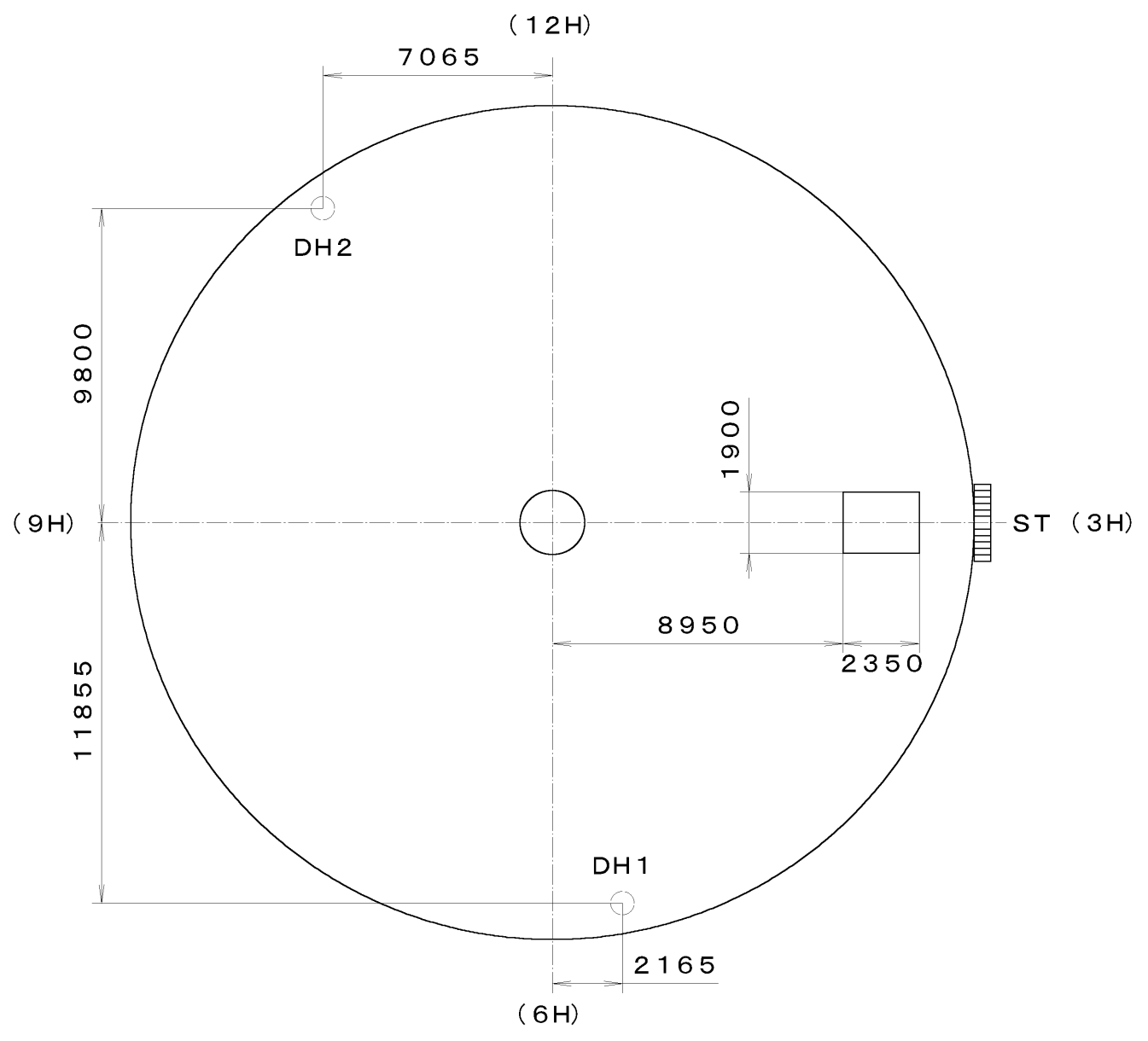


Quantity	Cal. NO.:	8215
Unit	Unit	1/1000 mm
Scale	Scale	6:1
Date	Date	
Drawn	Drawn	
Checked	Checked	N. Suzuki
Approved	Approved	
Material	Material	
Heat Treatment	Heat Treatment	
Hardness	Hardness	
Plating	Plating	
Alterations	Description Appro. Checked	N. Suzuki
General Tolerances	Dimensions	
Angles		

MIYOTA  
 CITIZEN WATCH CO., LTD. TOKYO, JAPAN  
 Name: Frame for Case  
 Drawing No.: 8215C010

This drawing is provisional and subject to our reconfirmation and/or revision without notice.

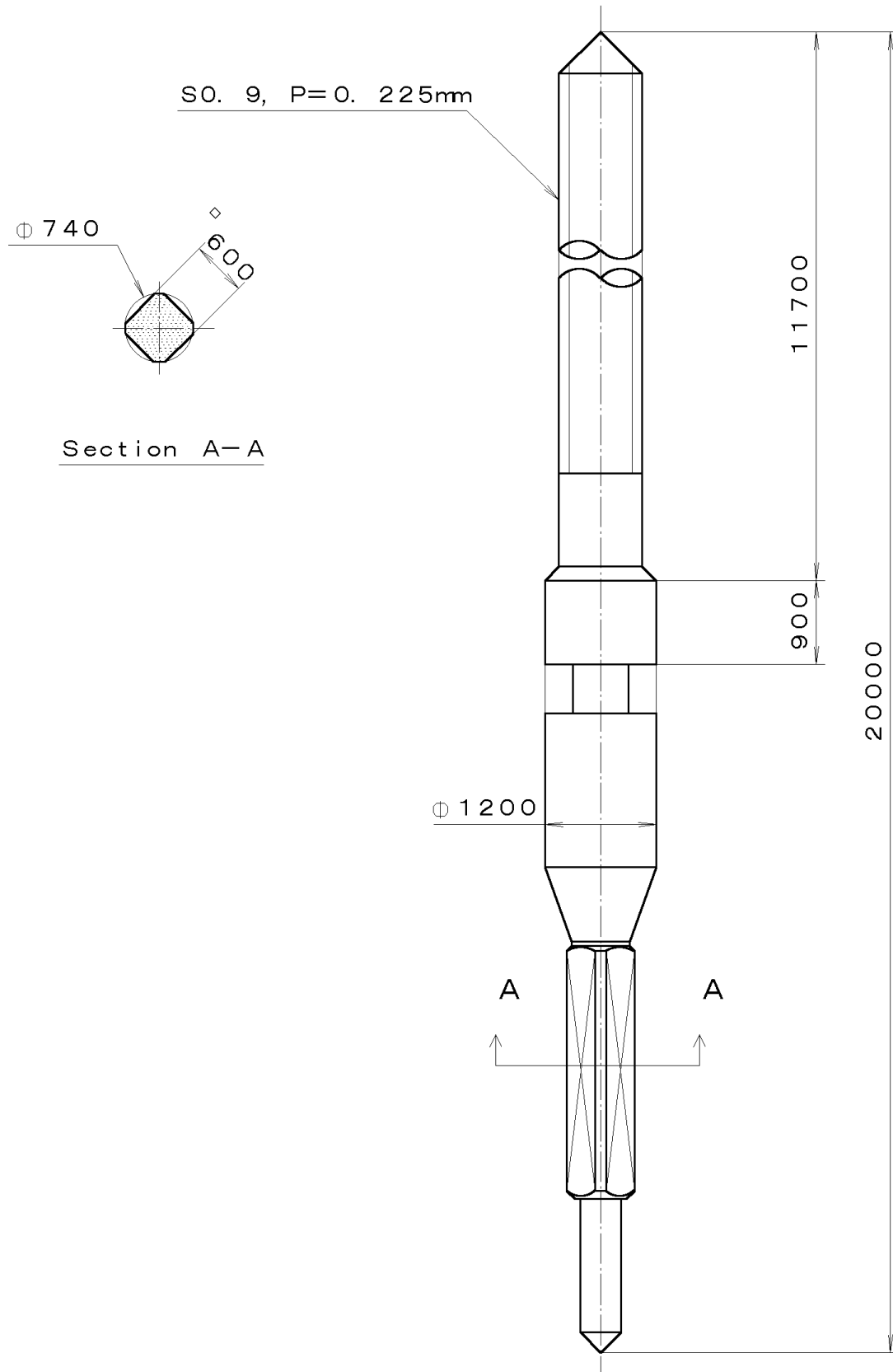
\*\*\* T I P W 8215-21A (01) \*\*\* (2100 1121) 02-03-11



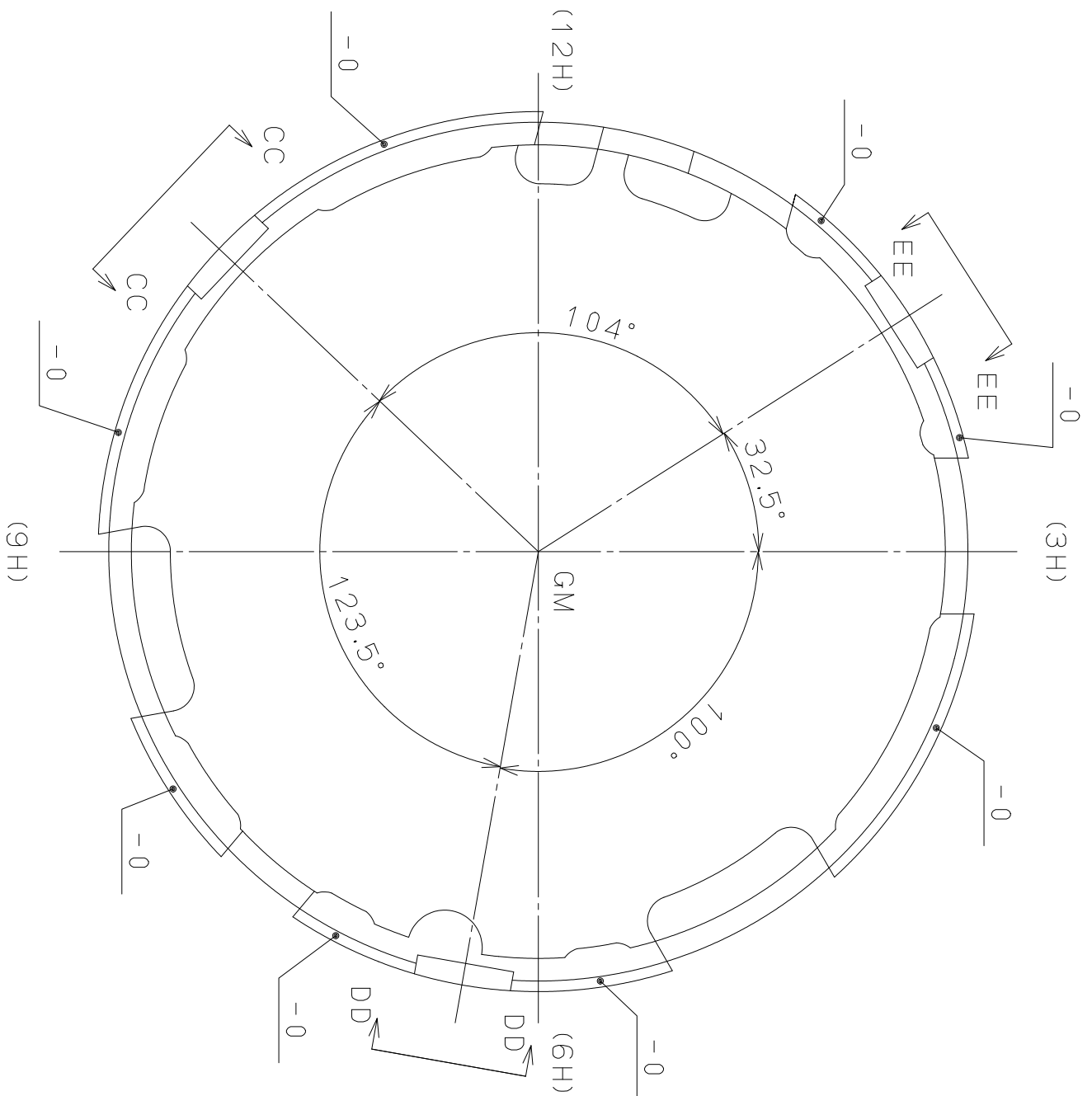
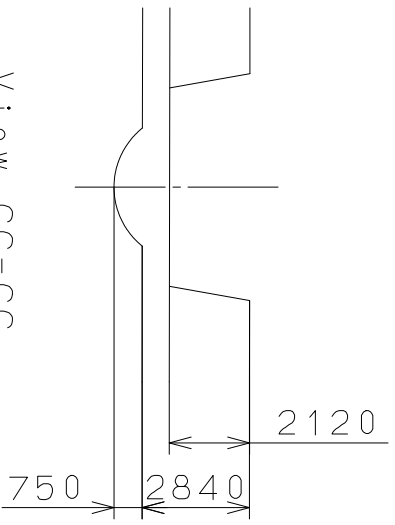
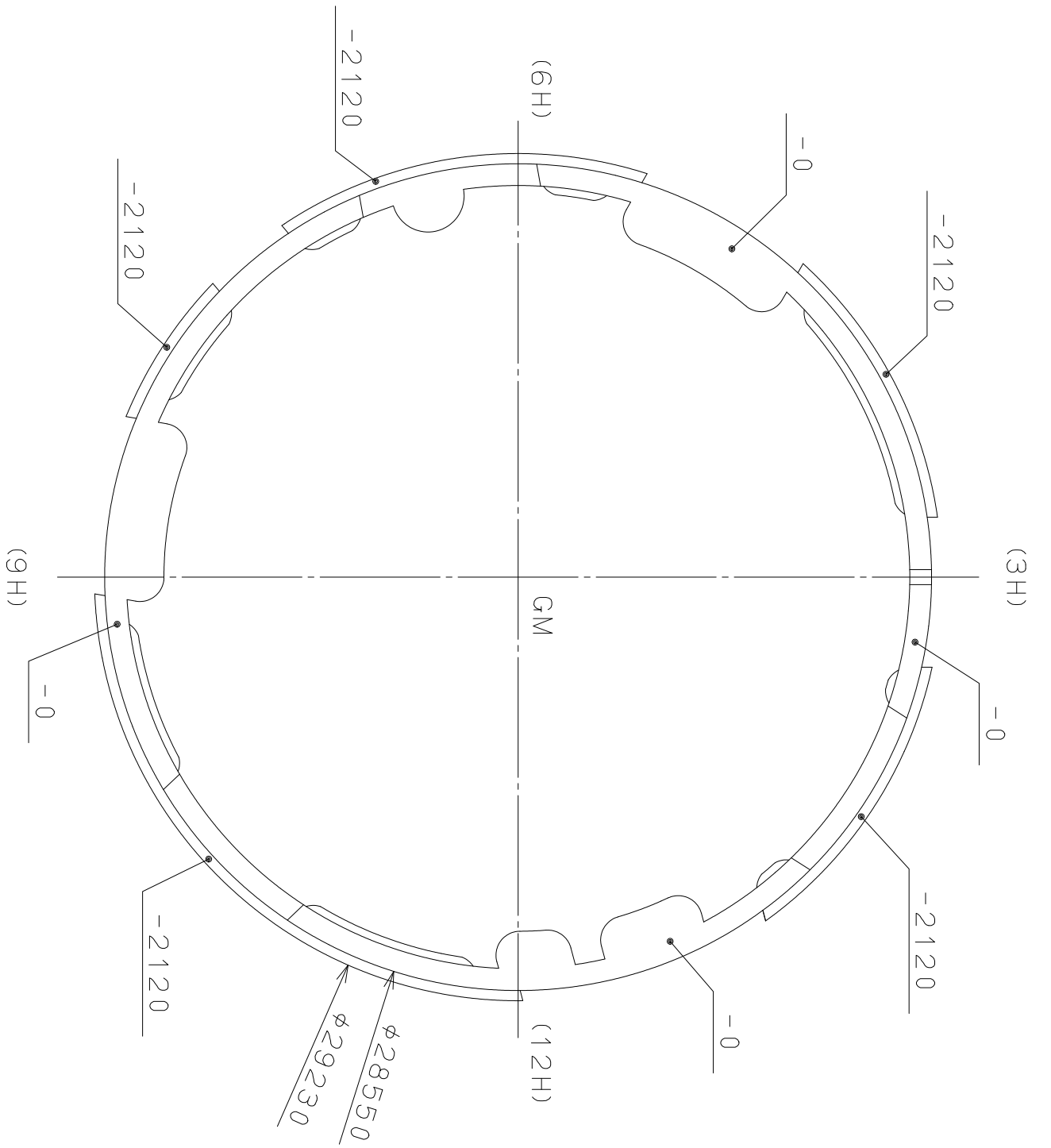
7			Quantity		Cal. No. :	8215-21A
6			Unit	1/1000 mm	Parts:	
5			Scale	5:1	Name:	Indications for Dial
4			Date		Drawing No. :	8215D001
3			Drawn			
2			Checked	T. Hiruta		
1			Approved			
Material						
Heat Treatment			General Tolerances			<b>MIYOTA</b>
Hardness			Dimensions			
Plating			Angles			

This drawing is provisional and subject to our reconfirmation and/or revision without notice.

\*\*\* T I P W (01) \*\*\* (2100 1121) 00-09-18



7			Quantity		Ca l. No. :
6			Unit	1/1000 mm	
5			Scale	15:1	Parts:
4			Date		065-212
3			Drawn		
2			Checked	T. Hiruta	Name:
1			Approved		SETTING STEM
Material					Drawing No. : 2120S000
Heat Treatment			General Tolerances		<b>MIYOTA</b>
Hardness			Dimensions		
Plating			Angles		



Quantity	1/1000 mm	Cal. NO.:
Unit	5 : 1	Parts No.:
Scale	Date	500-710
Drawn	Checked	Name:
Approved	N. Suzuki	Casing Holder
Material	Approved	Drawing No.: 8200E002
Heat Treatment	General Tolerances	<b>MIYOTA</b>
Hardness	Dimensions	
Plating	Angles	
CITIZEN WATCH CO., LTD. TOKYO, JAPAN		